



## Ready to Weld



*Quick installation and ready to weld model*

*Fully mounted on common base, easy to move*

*Optimized working area with automatic operation doors and monitored maintenance door*

*Designed for medium productivity with variable lots*

1

2

3

4

Cell has machined tables with guide bushes for positioning and 01 (one) workstation with safety relays in compliance with ANSI/RIA 15.06 Standard.

**Ready-To-Weld robotic welding** system offers the best cost benefit ratio. Designed for welding of medium size parts and where shop space maybe an issue. Increase your productivity easily and quickly, allowing an easy integration with any robot brand and power-source.

Tabletop dimensions	26" x 59"
Maximum table load capacity	2204 lb
Maximum cell power requirements	66A
Input Voltage/Current	200V to 240V (three-phase)
Cell Dimensions	148" L x 87" W x 83" H
Weight	3250 lb
Power requirement	26 kVA (according to welding robot and inverter)
Air Requirements/Flow Rate	87 Psi/0.59 Cfm

**All inclusive Package**



+

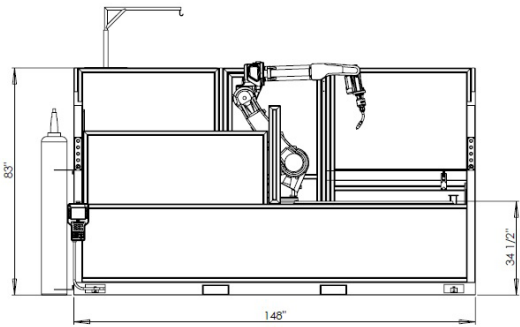


+

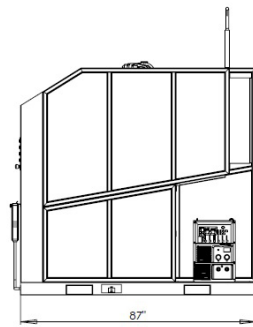


## Measures

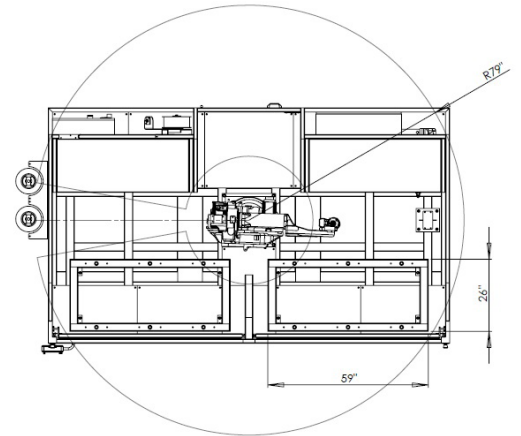
---



Front



Side



Working Area

## Standard Components

---



6 axis



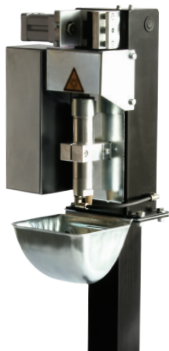
400 Amp Inverter



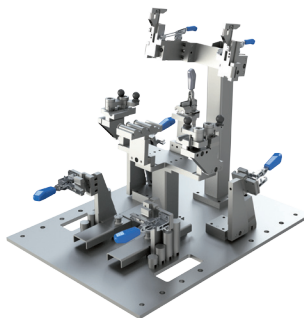
400 Amp Air Cooled Torch with Safety Clutch

## Optionals

---



Torch Cleaner and Wire Cutter Unit



Tooling



Neuron-S Adapt



SUMIG USA CORPORATION  
8600 Commodity Circle #159  
Orlando, FL 32819

☎ +1 800 503 9717  
🌐 [www.sumigusa.com](http://www.sumigusa.com)  
✉ [sumigusa@sumig.com](mailto:sumigusa@sumig.com)