



## Ready to Weld



*Quick installation with fully mounted on common base and optimized working area.*

*Designed for medium productivity with variable lots*

*Easy to movedoor*

*Easy integration with any robot brand and welding inverter.*



Cell has machined tables with guide bushes for positioning and 02 (two) workstations with safety relays in compliance with ANSI/RIA 15.06 Standard.

**Ready-To-Weld** robotic welding system offers the best cost benefit ratio. Designed for welding of medium size parts and where shop space maybe an issue. Increase your productivity easily and quickly, allowing an easy integration with any robot brand and welding inverter.

**All inclusive Package**



+



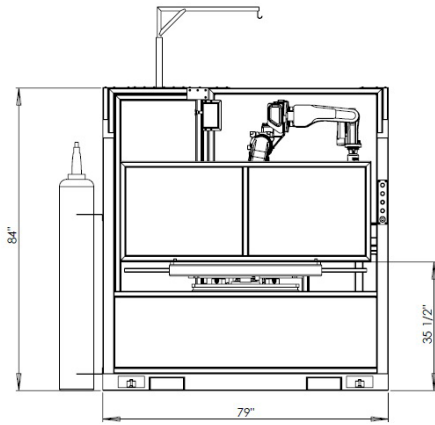
+



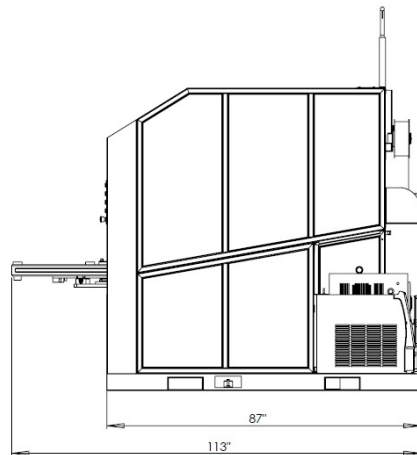
Tabletop dimensions	21" x 42"
Maximum table load capacity	440 lb
Maximum cell power requirements	66A
Input Voltage/Current	200V to 240V (three-phase)
Cell Dimensions	79" L x 118" W x 83" H
Weight	2710 lb
Power requirement	26 kVA (according to welding robot and inverter)
Air Requirements/Flow Rate	87 Psi/0.59 Cfm

## Measures

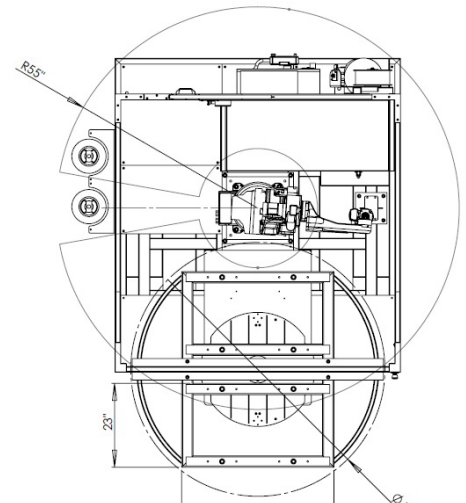
---



Front



Side



Working Area

## Standard Components

---



6 axis



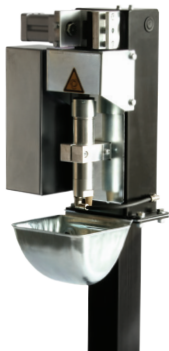
400 Amp Inverter



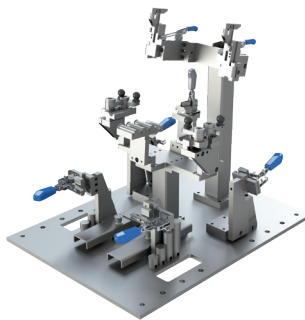
400 Amp Air Cooled Torch with Safety Clutch

## Optionals

---



Torch Cleaner and Wire Cutter Unit



Tooling



Turn Table



SUMIG USA CORPORATION  
8600 Commodity Circle #159  
Orlando, FL 32819

☎ +1 800 503 9717  
🌐 [www.sumigusa.com](http://www.sumigusa.com)  
✉ [sumigusa@sumig.com](mailto:sumigusa@sumig.com)