

SUMIG II

SU 500

UNIVERSAL ROBOTIC GUN



COMPATIBLE
WITH ALL ROBOTS
MODELS WITH FLANGE



ADJUSTABLE TCP

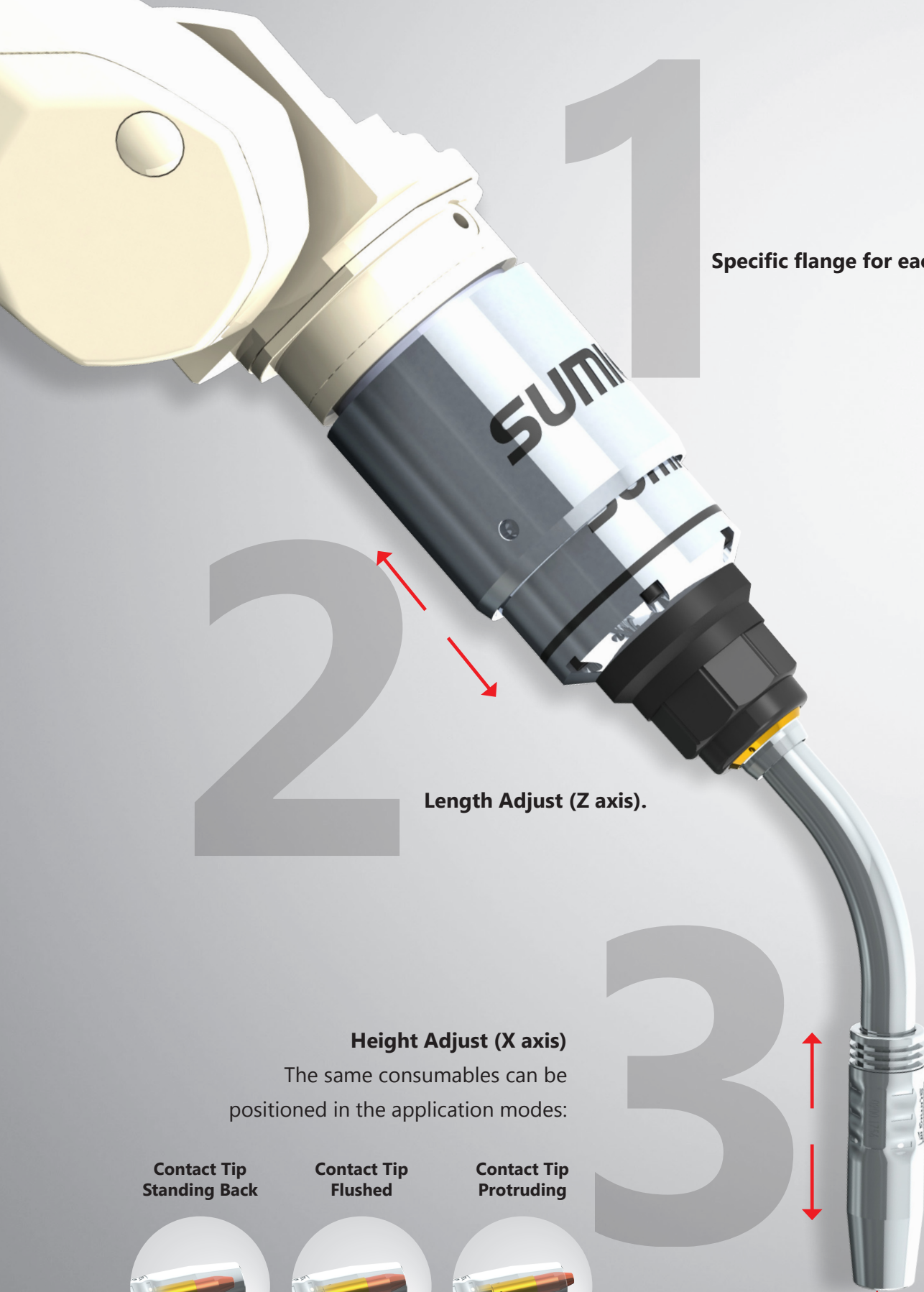


EASY INSTALLATION
AND SIMPLIFIED
ADJUSTMENT



SU 500 Universal ROBOTIC GUN

Innovative product developed with high technology and excellent quality raw materials. Designed to facilitate the TCP (Tool-Center-Point) adjustment in welding robots. 3 steps allow the welder to change the components size according to present valves. No need for reprogramming.



Specific flange for each robot model.

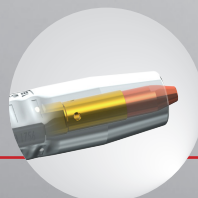
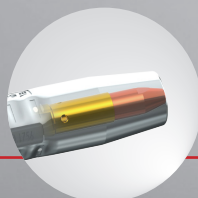
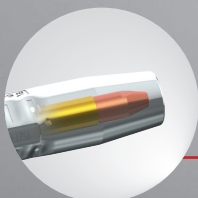
Length Adjust (Z axis).

Height Adjust (X axis)
The same consumables can be positioned in the application modes:

Contact Tip Standing Back

Contact Tip Flushed

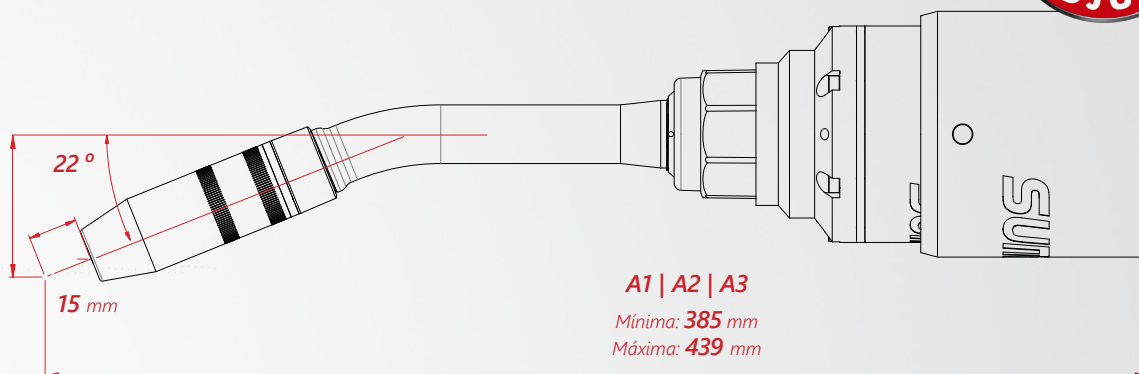
Contact Tip Protruding





Torch Head

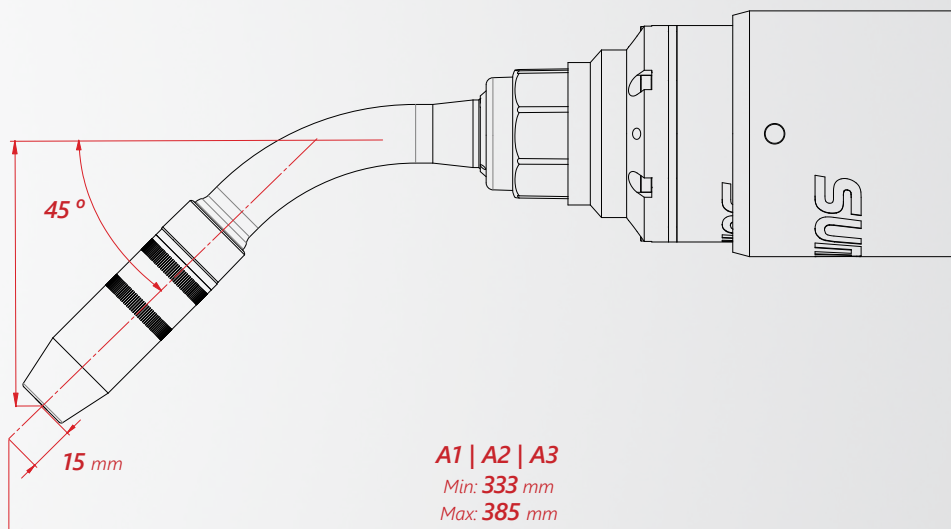
B1
Min: 46 mm
Max: 54 mm



A1 | A2 | A3
Mínima: 385 mm
Máxima: 439 mm

Torch Head

B2
Min: 100 mm
Max: 118 mm



A1 | A2 | A3
Min: 333 mm
Max: 385 mm

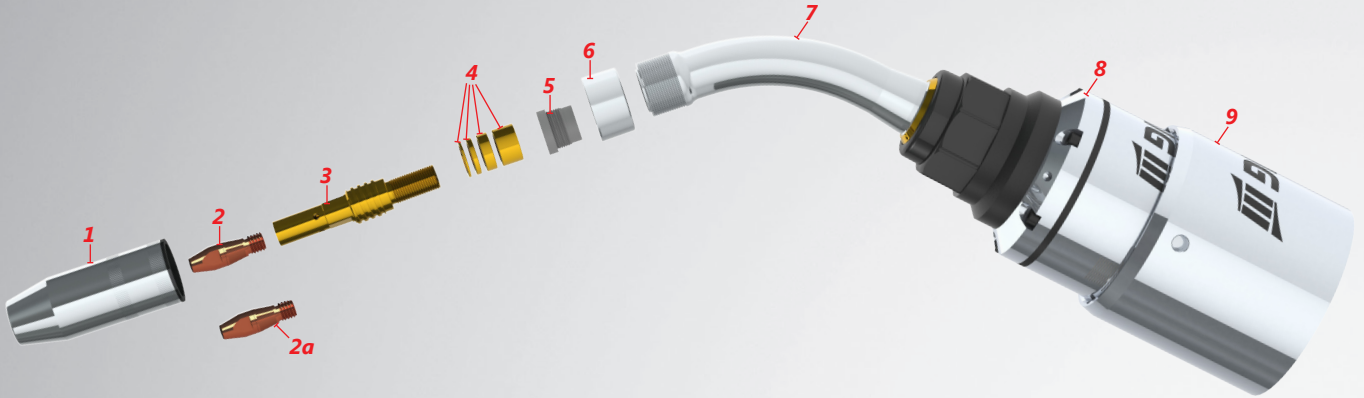
CONFIGURATIONS

Robot	Model	Gun	Angle	TCP (Tool Center Point)				A1	A2	A3	B1	B2					
				A1	A2	A3	B1						B2				
COMAU	SMART5 ARC6	0901.1129	22°	-	414	-	47	-	ABB	IRB1600ID, IRB1520ID	0901.1129	22°	-	414	-	47	-
		0901.1130	45°	-	367	-	-	100			0901.1130	45°	-	-	-	-	-
KUKA	KR 5 HW, KR 16 L8 HW	0901.1129	22°	403	-	-	47	-	ABB	IRB2600ID	0901.1129	22°	-	417	-	47	-
		0901.1130	45°	355	-	-	-	100			0901.1130	45°	-	-	-	-	-
KUKA	KR 16 arc HW	0901.1129	22°	-	414	-	47	-	FANUC	100iC, 100iC-12, 100iC-6L, 100iC-7L, 100iC-8L, 120iC, 120iC-10L, 120iC-12L, M710iC-12L, M10iA-6L, M10iA-7L	0901.1129	22°	-	-	386	47	-
		0901.1130	45°	-	367	-	-	100			0901.1130	45°	-	-	338	-	100
MOTOMAN	EXCETO OS MODELOS MA 1440, MA2010 E MA3120	0901.1129	22°	403	-	-	47	-	KUKA	KR 5 HW, KR 16 L8 HW	0901.1129	22°	405	-	-	47	-
		0901.1130	45°	355	-	-	-	100			0901.1130	45°	-	-	-	-	-
NACHI	NB04, NB04L	0901.1129	22°	-	413	-	47	-	KUKA	KR 16 arc HW	0901.1129	22°	-	416	-	47	-
		0901.1130	45°	-	365	-	-	100			0901.1130	45°	-	-	-	-	-
OTC DAIHEN	AX-V4, AX-V4L	0901.1129	22°	403	-	-	47	-	MOTOMAN	ALL MODELS EXCEPT MA 1440, MA2010 E MA3120	0901.1129	22°	405	-	-	47	-
		0901.1130	45°	355	-	-	-	100			0901.1130	45°	-	-	-	-	-
OTC DAIHEN	AII B4, AII B4L, FD B4, FD B4L	0901.1129	22°	-	413	-	47	-	PANASONIC	TB1800WGIII	0901.1129	22°	405	-	-	47	-
		0901.1130	45°	-	365	-	-	100			0901.1130	45°	-	-	-	-	-
PANASONIC	TB1800WGIII	0901.1129	22°	403	-	-	47	-	PANASONIC	TM-1100, TM-1400, TM-1600, TM-1800, TM-2000	0901.1129	22°	-	-	415	47	-
		0901.1130	45°	355	-	-	-	100			0901.1130	45°	-	-	367	-	100



PRODUCT VIEW

Patented
All Rights reserved
Made in Brazil



PART NUMBERS

Pos.	Code	Description	Mes.	Pos.	Code	Description	Mes.						
01	0900.1819	Conical Nozzle	16x63mm	04	0900.1811	Brass Ring	1 mm						
	0900.1025		18x63mm				2 mm						
	0900.1790	16x75mm	4 mm										
	0900.1808	18x75mm	8 mm										
	0900.1843	21x65mm	05	0900.1841	Insulator	06	0900.1842	Batente da Ponteira					
02	0900.1370	0,80mm							07	0901.1129	22° Torch Head	177mm	
	0900.1071	1,00mm								0901.1130	45° Torch Head	142mm	
	0900.1316	1,20mm							08	0900.2021	Torch Body	09	Robot Flange
	0900.1372	1,60mm											
02a	0502.1841	0,90mm	0900.1816	ABB IRB 1600									
	0502.1944	1,00mm	0900.1807	Fanuc									
	0500.1669	1,20mm	0900.1822	KUKA KR5									
	0502.1984	1,60mm	0900.1825	Panasonic TM 1800									
03	0900.1800	M8 Gas Diffuser	71,5mm	0900.1534	OTC								
	0900.1818	M8 Gas Diffuser	62,5mm										
	0900.1809	S+ Gas Diffuser	60,7mm										

CONSUMABLES ASSEMBLY OPTIONS

